

COOK CONCRETE PRODUCTS, INC.

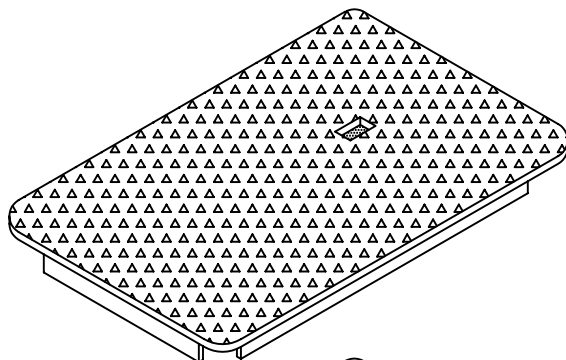
—Precast—



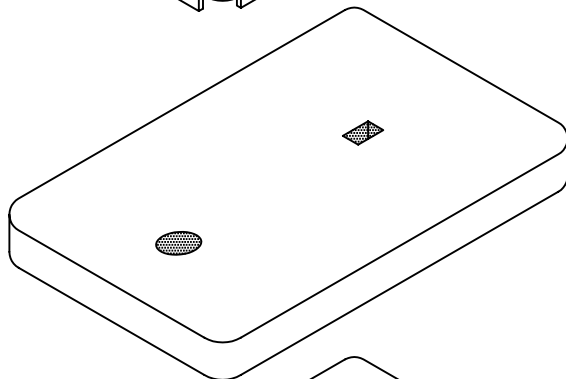
MANHOLE PIPE • DRAINAGE INLETS • STORM WATER/OIL INTERCEPTORS • UTILITY VAULTS & BOXES • CUSTOM PRECAST

(530) 243-2562
FAX (530) 243-6881
www.cookconcreteproducts.com
e-mail:
Info@cookconcreteproducts.com

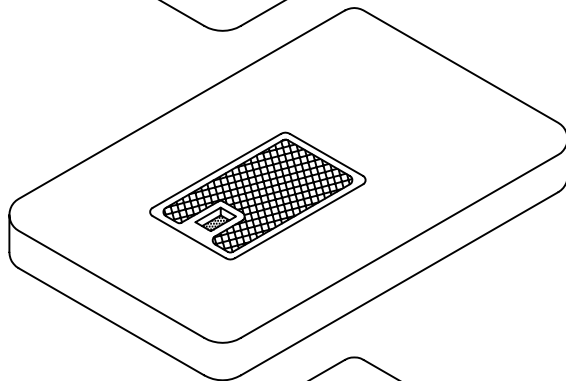
5461 EASTSIDE ROAD
P.O. BOX 720280
REDDING, CA 96099



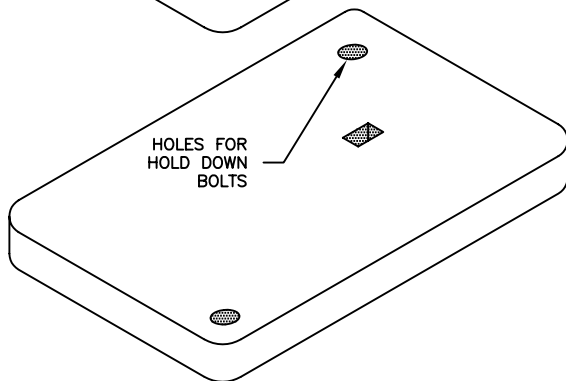
DIAMOND PLATE STEEL LID
SUITABLE FOR LIGHT TRAFFIC
AVAILABLE WITH OR WITHOUT
HOLD DOWN BOLTS



CONCRETE LID WITH REMOTE
READING PORT



CONCRETE LID WITH CAST
IRON HINGED READING LID



SOLID CONCRETE LID
AVAILABLE WITH OR WITHOUT
HOLD DOWN BOLTS

LIDS WITH MARKINGS AS
REQUIRED— I.E.:
"WATER"
"ELETRIC"
"CAL TRANS SIGNAL"

TYPICAL COVER CONFIGURATIONS