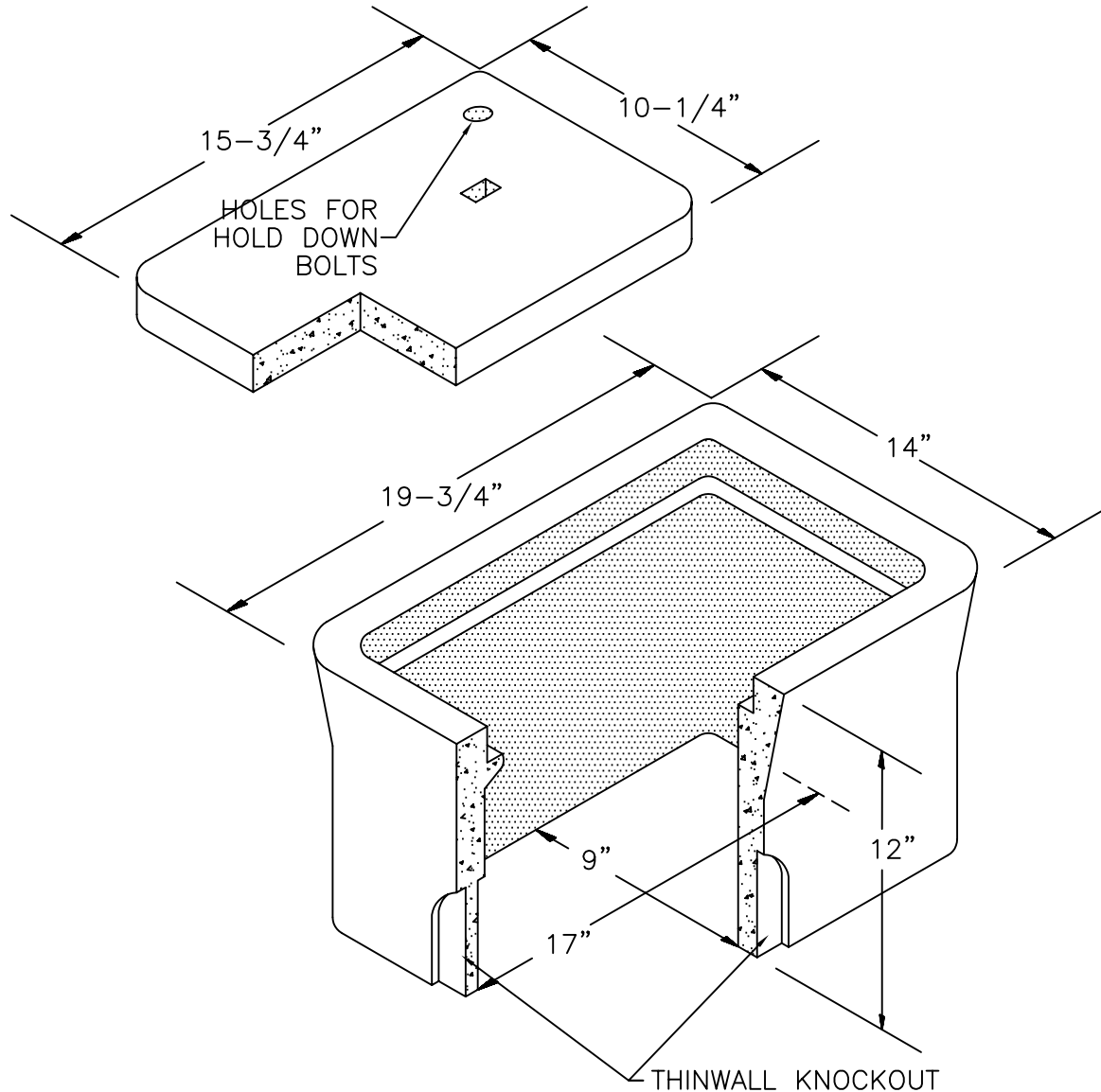


MANHOLE PIPE • DRAINAGE INLETS • STORM WATER/OIL INTERCEPTORS • UTILITY VAULTS & BOXES • CUSTOM PRECAST

(530) 243-2562
 FAX (530) 243-6881
 www.cookconcreteproducts.com
 e-mail:
 Info@cookconcreteproducts.com

5461 EASTSIDE ROAD
 P.O. BOX 720280
 REDDING, CA 96099



LIDS AVAILABLE:

1. CONCRETE
2. CONCRETE W/HINGED READING LID
3. STEEL— LIGHT TRAFFIC
4. AVAILABLE WITH OR WITHOUT HOLD DOWN BOLTS
5. CAST IRON DRAIN GRATE AVAILABLE

NOTES:

1. BOX WEIGHT: 64#
2. EXTENSION WEIGHT: 64#
3. CONCRETE LID WEIGHT: 24#
4. STEEL LID WEIGHT: 22#

.75 BOX / # 14