

# COOK CONCRETE PRODUCTS, INC.

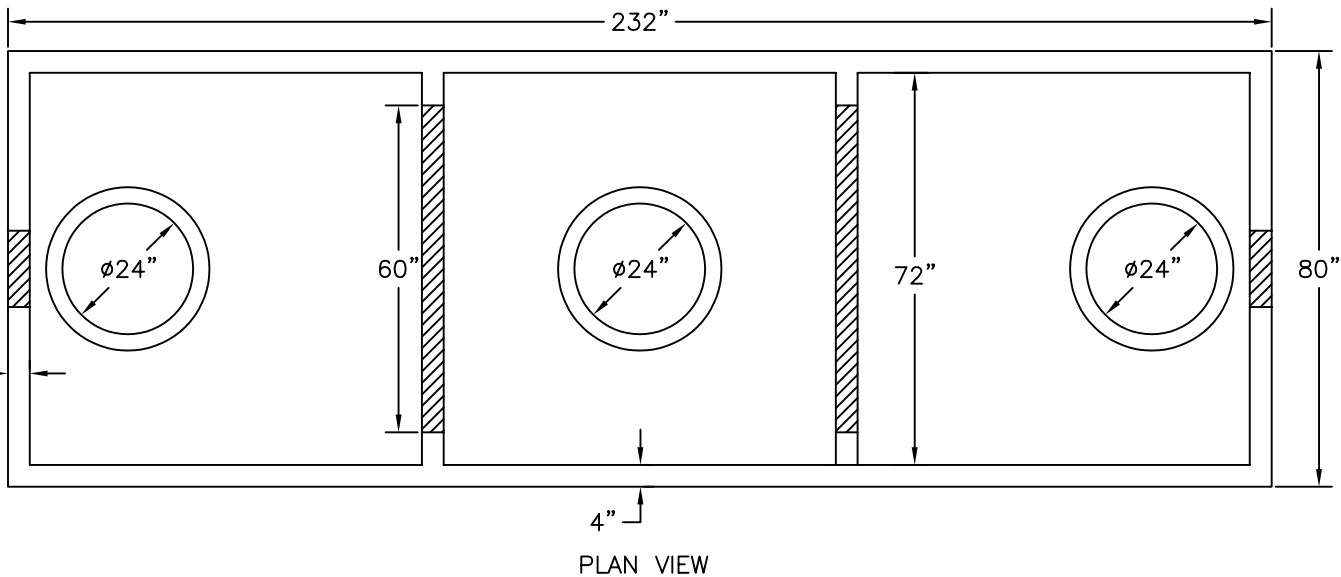
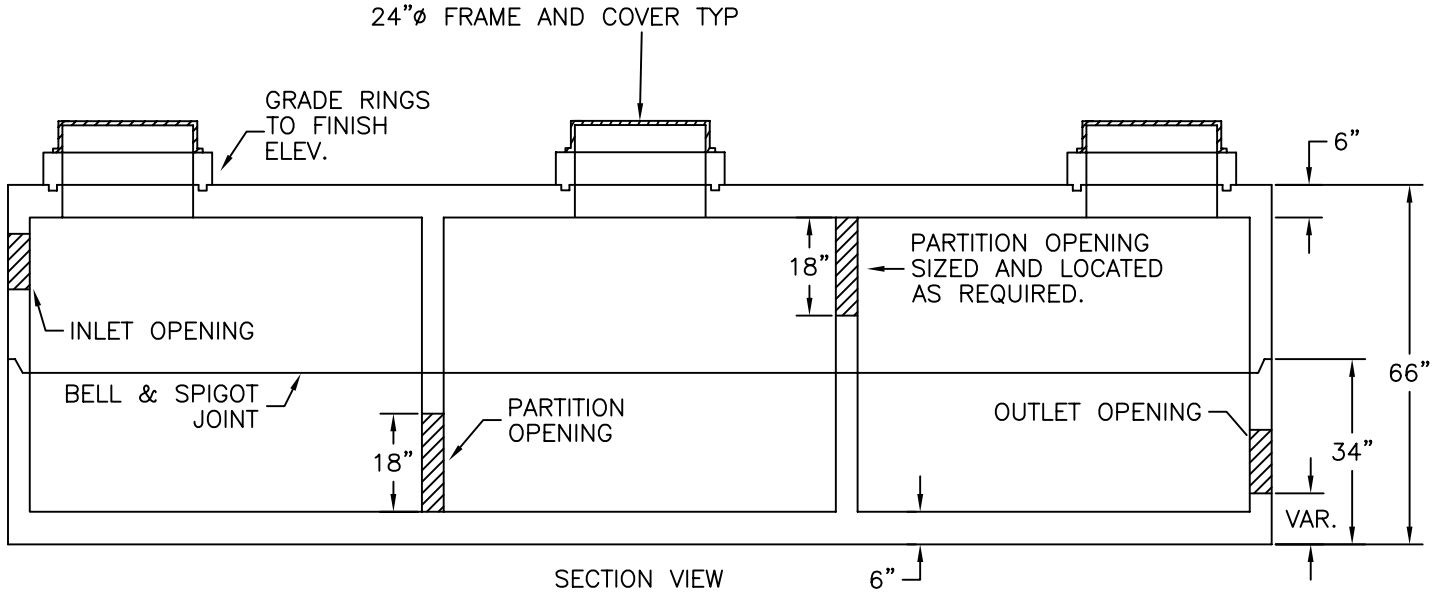
—Precast—



MANHOLE PIPE • DRAINAGE INLETS • STORM WATER/OIL INTERCEPTORS • UTILITY VAULTS & BOXES • CUSTOM PRECAST

(530) 243-2562  
 FAX (530) 243-6881  
 www.cookconcreteproducts.com  
 e-mail:  
 Info@cookconcreteproducts.com

5461 EASTSIDE ROAD  
 P.O. BOX 720280  
 REDDING, CA 96099



- NOTES:
- 1) DESIGNED FOR HS-20 HIGHWAY LOADING.
  - 2) PENETRATION SIZES AND LOCATIONS CAN BE PLACED AS REQUIRED.
  - 3) WEIGHT PER SECTION: 16,120 LB.
  - 4) 2 COMPARTMENT TANK AVAILABLE AS SEPTIC TANK OR GREASE TRAP.
  - 5) OUTLET BOXES AVAILABLE, SEPARATE ITEM.
  - 6) ALSO AVAILABLE IN 1250, 1500, 2000, 4000 AND 5000 GALLON CAPACITIES.

3,000 GALLON STORM WATER INTERCEPTOR